



IMPORTANT PRODUCT INFORMATION

ICON™ BACK SYSTEM USER MANUAL



Important Note for Dealers:
Please provide the User or
Caregiver with this manual.

***Important Note for ICON™
Back System Users and
Caregivers:*** Please keep this
manual for future reference.

If you do not understand
this instruction manual or
if you have any questions,
please contact **VARILITE**
Customer Service at
(800) 827-4548 or
(206) 505-9500.

Table of Contents

This User Manual explains how to care for, maintain, and adjust your VARILITE back support.

Warnings	pages 3-6
Operating Instructions	pages 7-9
Thoracic Support Instructions	page 10
Care and Maintenance	page 11
Warranty	page 12

Important Note for Suppliers: Please provide the User or Caregiver with this manual.

Important Note for VARILITE Back Support Users and Caregivers:
Please keep this manual for future reference.

If you do not understand this *User Manual* or if you have any questions, please contact *VARILITE* Customer Service at 800.827.4548 or 206.505.9500.

TO AVOID INJURY, read, understand and follow all instructions and warnings in this manual before using your Icon™ Back.

There are hazards associated with the use of wheelchairs and adaptive equipment. If you misuse your wheelchair or your back support you can be seriously injured.

WARNING

Installation and adjustment of your Icon™ Back should be performed only by an authorized dealer or qualified therapist.

Failure to use the appropriate equipment for restraint in a vehicle can result in serious injury or death.

- Never use your Icon™ Back support if any hardware is missing, malfunctioning, or broken. Seek qualified assistance with any repairs or adjustments.
- Never exceed the weight capacity of the back support.

The maximum user weight for systems less than 22 in. (55 cm) wide is 300 lbs (136 kg). The maximum user weight for systems 22 in. (55 cm) or greater is 400 lbs (181 kg).

WARNING

- Never exceed the weight capacity of the wheelchair as specified by the wheelchair manufacturer.
- Never perform weight training that causes you to exceed the weight capacity of the wheelchair.
- Do not exceed the weight capacity of the wheelchair during other activities of daily living.
- Never lift the wheelchair by the back support.
- Never use the back support without its cover, the cover is made with flame retardant materials. Using the back support without its cover increases the risk of flammability.
- Never modify your Icon™ Back or use it in a way not described by these instructions.

 **WARNING**

Wheelchair Compatibility

Icon™ Back Systems are designed to be compatible with most wheelchairs, noting the following exceptions:

The system can be used only with wheelchairs with cane diameters equal to 1 in. (25 mm) or less.

The system can be used only with wheelchairs with round canes.

Wheelchairs are not required to have stabilizer bars, provided the canes can maintain their position.

Only use wheelchairs with round canes equal to 1 in. (25mm) or less in diameter.

Failure to use compatible equipment can result in equipment breakage and serious injury.

Use in a Motor Vehicle

For Icon™ Tall Back and Icon™ Deep Back:

WARNING

This seating system has been dynamically tested and meets requirements of ANSI WC20/Vol4 and conforms to ISO 16840-4 for the safe use of seating devices for use in motor vehicles when used with a wheelchair base that complies with performance requirements of ANSI WC19 or ISO 7176-19.

A surrogate wheelchair base and Hybrid III Midsize Male ATD were used in the frontal impact test.

Any postural support devices and belts that have not been successfully tested in accordance with ANSI/RESNA WC18 or WC19 should not be relied upon as an occupant restraint in a vehicle.

Failure to use the appropriate equipment for restraint in a vehicle can result in serious injury or death.

For additional information regarding the use of seating systems in motor vehicles, refer to *Safe Use in a Motor Vehicle* provided with this system and at www.varilite.com.

For Icon™ Low Back and Icon™ Mid Back:

WARNING

This seating system does not meet requirements of ANSI WC20/Vol4 or conform to ISO 16840-4 for the safe use of seating devices for use in motor vehicles.

To avoid serious injury or death, do not use this seating system in a motor vehicle.

For additional information regarding the use of seating systems in motor vehicles, refer to *Safe Use in a Motor Vehicle* at www.varilite.com.

Operating Instructions

Removing the Back Support

1. Move the Slide Release toward the cane on each Holster to open the Slide Release. The Slide Release will stay open. **(Fig. 1)**
2. Lift the Shell straight up so the Slide Bars clear the Holster. The Slide Release will close. Back can be removed with one hand. **(Fig. 2)**



Fig. 1



Fig. 2

Installing Back Support

1. Hold the Shell so the Slide Bars are positioned to go down into the Holster. **(Fig. 3)**
2. Push the Shell downward so the Slide Bars are inserted in the Holsters until the Slide Bars lock. The Shell can be installed with one hand.



Fig. 3

Inflating Cushion

1. To inflate cushion, remove load from cushion.
2. Open air valve by turning valve counterclockwise.
3. When cushion is fully inflated, close air valve by turning valve clockwise.

Adjusting Cushion

1. To adjust the air level of the Icon™ Back cushion, begin with the cushion fully inflated and the valve closed.
2. Position wheelchair user securely in wheelchair.
3. Turn the valve counterclockwise to open the valve and release air.
4. Close the valve when the air level that provides the support needed for the user's comfort and functionality is reached.

Removing Cushion

1. Pull the cushion up to detach the cover from the shell.
2. Detach the Handle Flap from the Handle Patch on the inside of the Shell and pull the Handle Flap through the slot in the shell.
3. Remove the back cushion from the attached flap on the inside of the cover.

Thoracic Support Instructions

Your back system may include optional VARILITE PAL™ Swing-Away thoracic supports.

Operating Instructions:

To initiate swing, depress the silver button and swing the pad bracket away from the user. **(Fig. 4)**

The bracket is locked into place when an auditory click is heard and the button is fully extended. **(Fig. 5)**

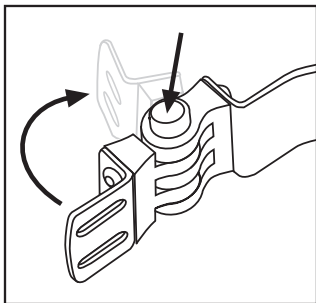


Fig. 4

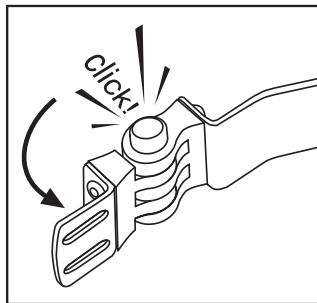


Fig. 5

Maintenance:

- Wash pad covers in cold water. Air dry.
- Clean metal parts with soft cloth and isopropyl alcohol. Do not use soap-based products.
- NEVER oil the hinge mechanism.

Care and Maintenance

- The aluminum shell can be cleaned with soap and warm water. Do not saturate. Avoid getting water under the edge trim.
- The self-inflating cushion can be wiped with a damp cloth.
- The cushion cover can be removed and washed. Machine wash at 140° F (60° C). Air dry. For best result keep zipper closed.
- Never store your back support in conditions of extreme heat or exposure to direct sunlight for long periods of time.
- Never store sharp or heavy objects on top of your back cushion.
- Once a week, leave valve open overnight, allowing cushion to fully inflate in an unloaded state.

Warranty

The VARILITE Product Warranty can be found in the Installation Instructions provided with this system and on www.varilite.com

Be sure to complete the Product Registration form that came with this back support, or available online at: http://www.varilite.com/forms_warrantyreg.aspx

VARILITE
4000 1st Ave. S
Seattle, WA 98134
1-800-827-4548
www.varilite.com

Authorized Representative:
Cascade Designs, Limited
Dwyer Road, Midleton, Co. Cork
Republic of Ireland



PN 33-211

©2010 Cascade Designs, Inc.