



VARILITE®

Installation Instructions

(Talon™)

This manual explains how to install your VARILITE back support, how to operate it, and how to maintain it

Important Note for Dealers: Please provide the User or Caregiver with this manual.

Important Note for Users and Caregivers: Please keep this manual for future reference.

If you do not understand this instruction manual or if you have any questions, please contact VARILITE Customer Service toll free at 800.827.4548, or 206.505.9500, or at info@varilite.com.





Installation Instructions

TABLE OF CONTENTS

WARNINGS ***Pages 3-4***

Parts ***Page 5***

Exploded Views	Page 5
Components	Page 5
Component Part Numbers	Page 6

Assembly and Mounting Steps ***Page 7***

Locate Centerline of Stabilizer Bar	Page 7
Attach Mounting Bracket to Wheelchair	Page 8
Attach Shell to Mounting Bracket	Page 8
Placement Options	Page 9
Mounting Bracket Selection	Page 10

Operating Instructions ***Page 11***

Adjusting and Removing Cushion	Page 11
Care and Maintenance	Page 12
Troubleshooting	Page 13

Warranty ***Page 14***

Contact Information ***Page 15***



Installation Instructions

WARNING

TO AVOID INJURY, read, understand and follow all instructions and warnings in this manual before using your *VARILITE* back support.

There are hazards associated with the use of wheelchairs and adaptive equipment. If you misuse your wheelchair or your back support you can be seriously injured.

Installation and adjustment of your *VARILITE* back support should be performed only by an authorized dealer or qualified therapist. Improper installation or adjustment can result in equipment damage and serious injuries.

- Ensure that your *VARILITE* hardware is tightened and functions according to these instructions before using your wheelchair. If you are unable to check the tightness of hardware, please seek qualified assistance.
- Never use your wheelchair if any *VARILITE* hardware is missing, malfunctioning, or broken. Seek qualified assistance with any repairs or adjustments.
- Never exceed the weight capacity of the back support. Never perform weight training that causes you to exceed the weight capacity of the back support. If you exceed the recommended weight capacity you can damage equipment and be seriously injured.
- Never exceed the weight capacity of the wheelchair as specified by the wheelchair manufacturer. Never perform weight training that causes you to exceed the weight capacity of the wheelchair. If you exceed the recommended weight capacity you can damage equipment and be seriously injured.
- Never lift the wheelchair by the back support.
- Never use the back support without its cover. For your safety, *VARILITE* cushion covers are made with flame retardant materials.
- Never modify your *VARILITE* back support or use it in a way not described by these instructions.
- Follow all instructions and warnings provided by the wheelchair manufacturer.



Installation Instructions

Use in a Motor Vehicle

WARNING

This seating system has not been dynamically tested and does not meet requirements of ANSI WC20/Vol 4 or conform to ISO 16840-4 for the safe use of seating devices for use in motor vehicles. To avoid serious injury or death, do not use this seating system in a motor vehicle.

For additional information regarding the use of seating systems in motor vehicles, refer to *Safe Use in a Motor Vehicle* at www.varilite.com.

Wheelchair Compatibility

WARNING

Wheelchair Compatibility

VARILITE Talon is designed to be compatible with rigid wheelchairs with horizontal stabilizer bars 0.75 in. (19mm) in diameter, noting the following exceptions:

The system can be used only with wheelchairs with round stabilizer bars.

Stabilizer bar diameter cannot be greater than or less than 0.75 in. (19mm)

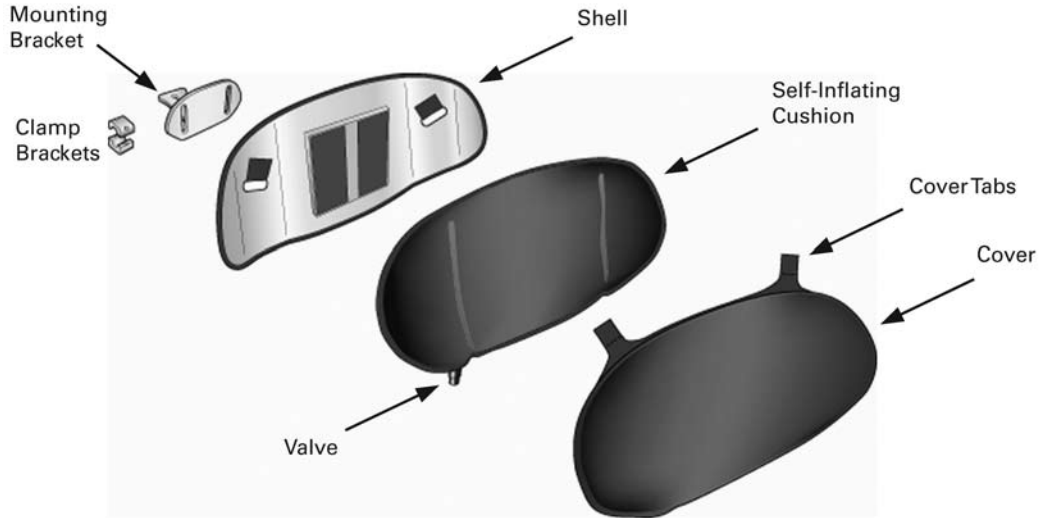


VARILITE

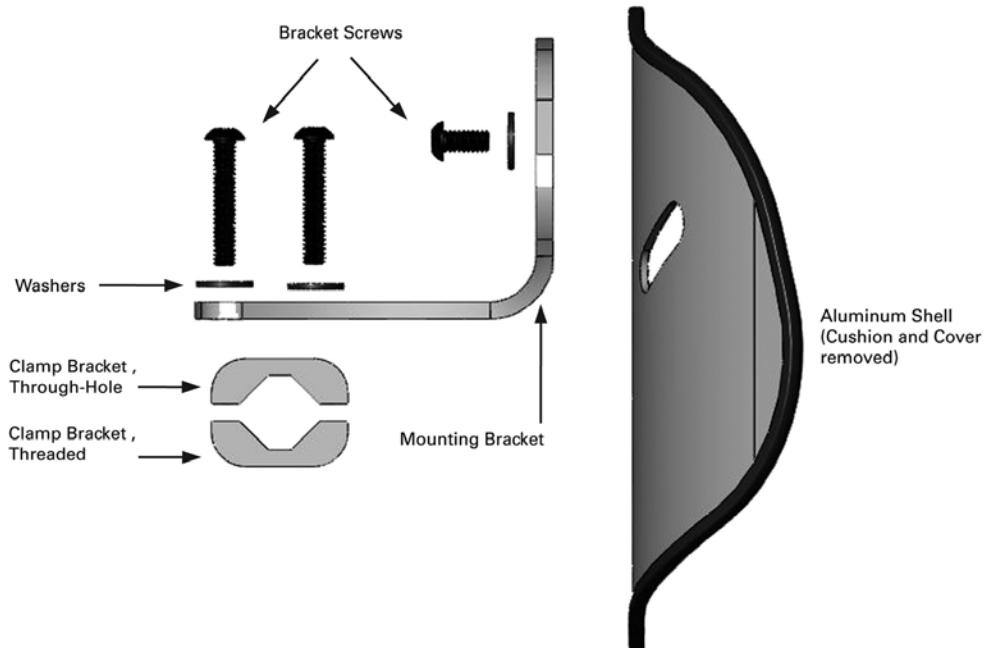
Installation Instructions

VARILITE Talon Parts

Please familiarize yourself with the parts of the Talon before installation, adjustment or use.



VARILITE Talon Components





Installation Instructions

VARILITE Talon Part Numbers

Talon	12 in. 30 cm	14 in. 35 cm	15 in. 37 cm	16 in. 40 cm	17 in. 43 cm	18 in. 45 cm	20 in. 50 cm	22 in. 55 cm	24 in. 60 cm
Aluminum Shell	na	04337	04336	04297	04281	04289	04279	na	na
Cushion	na	01359	01368	01369	01371	01377	01378	na	na
Cushion Cover	na	04638	04642	04647	04648	04649	04658	na	na
Complete Assembly	na	47517	47519	47521	47523	47525	47527	na	na

No-Charge Mounting Bracket (required)

- 47532 Short,
- 47533 Medium
- 47534 Long

Accessories

- 04584 Modesty Kit 14-15 in. (35-37 cm)
- 04585 Modesty Kit 16-17 in. (40-43 cm)
- 04586 Modesty Kit 18-20 in. (45-50 cm)
- 47529 Mounting Kit, Short
- 47530 Mounting Kit, Medium
- 47531 Mounting Kit, Large



Installation Instructions

Assembly and Mounting Steps

VARILITE Talon attaches to the wheelchair's stabilizer bar (also called a rigidizer bar) using the Mounting Bracket, Through-Hole Clamp Bracket, and Threaded Clamp Bracket.

1. Locate and mark the centerline of the wheelchair's stabilizer bar. (**Fig. 1**)

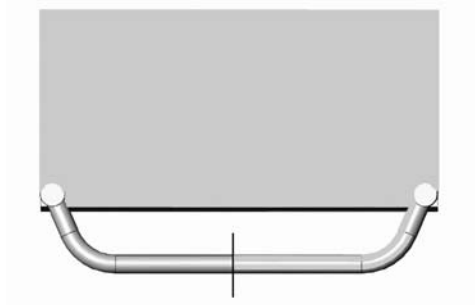
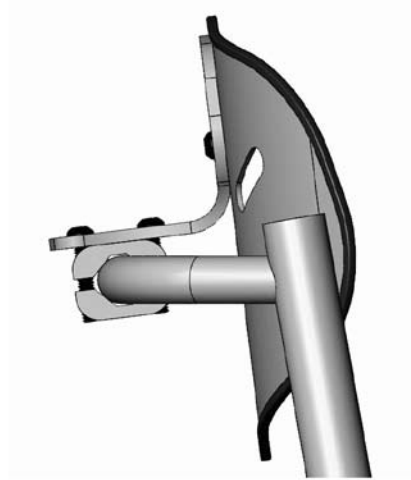


Fig. 1



2. Place Mounting Bracket on top of the Through-Hole Clamp Bracket.

Insert (2) 1/4-20 x 1.25 in. Button Head Cap Screws and Washers through the single slot of of the Mounting Bracket and into the Through-hole Clamp Bracket. (**Fig. 2**)

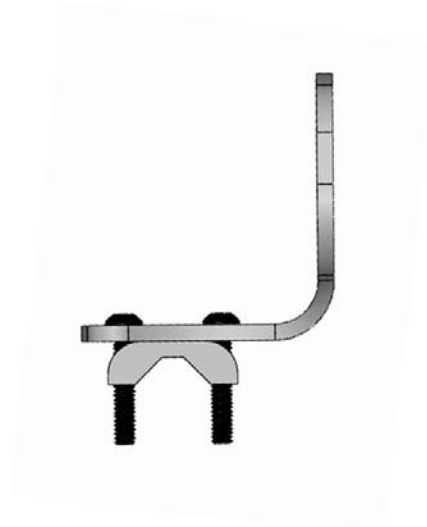


Fig. 2



Installation Instructions

3. Place Mounting Bracket and Through-Hole Clamp Bracket on top of the stabilizer bar at the centerline.

Place Threaded Clamp Bracket on the opposite side of the stabilizer bar and screw the parts together.

Tighten the screws just enough to hold the parts in place.

Do not fully tighten until final adjustments are made.

The vertical portion of the Mounting Bracket should be parallel to the back canes of the wheelchair. **(Fig. 3)**

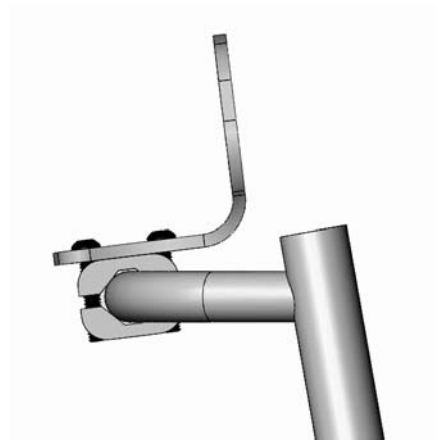


Fig. 3

4. Position the Shell/Cushion assembly against the Mounting Bracket where it provides appropriate PSIS (Posterior Superior Iliac Spine) support.

Note: *It is not necessary to remove the Cushion and Cover during installation.*

5. Attach the Shell/Cushion assembly to the Mounting Bracket using (2) 1/4-20 x 0.5 in. Button Head Cap Screws and Washers. **(Fig. 4)**

Tighten the screws just enough to hold the parts in place.

Do not fully tighten until final adjustments are made.

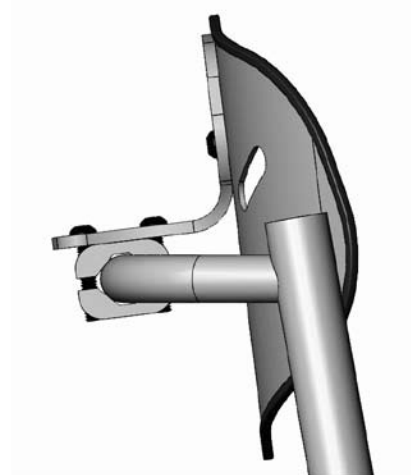


Fig. 4



Installation Instructions

PLACEMENT OPTIONS

The Mounting Bracket screws can attach to the Shell/Cushion assembly in three locations. The multiple locations, coupled with the vertical slots on the Mounting Bracket, allow a wide range of height adjustment. (Fig. 5)

To increase the range of adjustment, reverse the Mounting Bracket so it attaches to the bottom of the stabilizer bar. (Fig. 6)

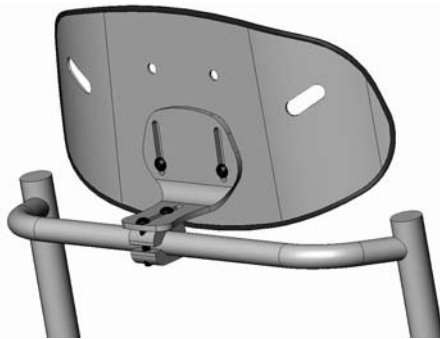


Fig. 5

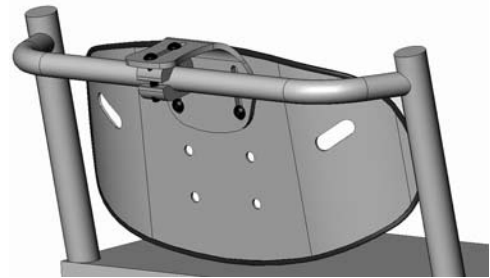


Fig. 6

6. Talon can be adjusted for height, depth, and angle. (Fig. 7)

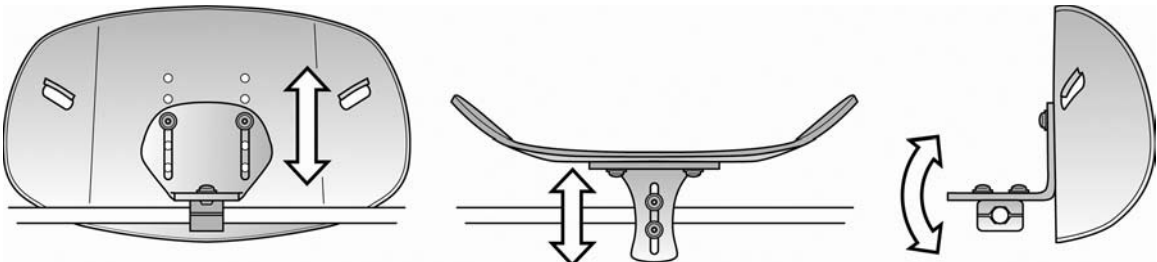


Fig. 7

Complete the positioning of the Talon by adjusting height, depth and angle, and securely tightening all screws.

Note: When properly mounted, the Talon should stay securely in place without any movement of the Mounting Bracket or Clamp Brackets.

If the Clamp Brackets rotate around the stabilizer bar, the screws have not been tightened enough. Clamp Bracket screws should be tightened as much as possible by hand.

Note: Fully tightening the Clamp Bracket screws by hand will not damage the wheelchair's stabilizer bar.



Installation Instructions

Mounting Bracket Selection

For most users, the Talon is positioned with the Shell/Cushion in line with the back of the wheelchair canes. Our selection guide shows the recommended Mounting Bracket based on the stabilizer bar depth, as well as the range of posterior and anterior adjustment possible with each bracket.

		Talon Bracket Selection Guide					
Stabilizer Depth ¹		1.75 in (4.4 cm)	2.00 in (5 cm)	2.25 in (5.7 cm)	2.50 in (6.3 cm)	2.75 in (7 cm)	3.00 in (7.6 cm)
Recommended Bracket		Short	Short	Short	Short	Short	Short
Posterior Adjustment ²		0.25 (.63 cm)	0.50 (1.3 cm)	0.75 (1.9 cm)	1.00 (2.5 cm)	1.25 (3.2 cm)	1.50 (3.8 cm)
Anterior Adjustment ²		0.25 (.63 cm)	not applicable				
		Medium	Medium	Medium	Medium	Medium	Medium
Posterior Adjustment ²		not applicable		0.25 (.63 cm)	0.50 (1.3 cm)	0.75 (1.9 cm)	1.00 (2.5 cm)
Anterior Adjustment ²		0.75 (1.9 cm)	0.50 (1.3 cm)	0.25 (.63 cm)	not applicable		
		Long	Long	Long	Long	Long	Long
Posterior Adjustment ²		not applicable				0.25 (.63 cm)	0.50 (1.3 cm)
Anterior Adjustment ²		1.25 (3.2 cm)	1.00 (2.5 cm)	0.75 (1.9 cm)	0.50 (1.3 cm)	0.25 (.63 cm)	not applicable

Notes:

¹ As measured from the back of the upright canes to the front of the stabilizer bar.

² Refers to the range of adjustment possible from the back of the upright canes.

No -Charge Mounting Bracket (required)

- 47532 Short,
- 47533 Medium
- 47534 Long



Installation Instructions

Inflating Cushion

1. To inflate cushion, remove load from cushion.
2. Open air valve by turning valve counterclockwise.
3. When cushion is fully inflated, close air valve by turning valve clockwise.

Adjusting Cushion

1. To adjust the air level of the *VARILITE* back support, begin with the cushion fully inflated and the valve closed.
2. Position wheelchair user securely in wheelchair.
3. Turn the valve counterclockwise to open the valve and release air.
4. Close the valve when the air level that provides the support needed for the user's comfort and functionality is reached.

Removing Cushion

1. Pull the cushion up to detach the cover from the shell.
2. Detach the CoverTabs from the hook patch on the inside of the Shell and pull the CoverTabs through the slots in the shell.

Note: *Reverse the steps above to reattach the cushion.*



Installation Instructions

Care and Maintenance

- The aluminum shell can be cleaned with soap and warm water. Do not saturate. Avoid getting water under the edge trim.
- The self-inflating cushion can be wiped with a damp cloth.
- The mesh cushion cover can be removed and washed. Machine wash at 140° F (60° C). Air dry.
- Never store your back support in conditions of extreme heat or exposure to direct sunlight for long periods of time.
- Never store sharp or heavy objects on top of your back cushion.
- Once a week, leave valve open overnight, allowing cushion to fully inflate in an unloaded state. See page 11 for adjustment instructions.



Installation Instructions

Troubleshooting

- ***System rotates around the stabilizer bar***
The Clamp Brackets are not tight enough. Fully tighten the Clamp Bracket screws.
- ***Shell/Cushion assembly does not support the PSIS***
Adjust the height of the Shell. Loosen the Mounting Bracket screws to slide the Shell up or down in the Mounting Bracket slots; use different holes on the Shell; or reverse the Mounting Bracket as needed to increase the range of adjustment
- ***Too much or too little seat depth***
Loosen the Clamp Bracket screws and use the slot for posterior or anterior adjustment. Depending on the depth of the stabilizer bar, and the amount of posterior or anterior adjustment needed, a different length Mounting Bracket may be needed. Refer to the Mounting Bracket Selection Guide (page 10). Fully tighten the Clamp Bracket screws.
- ***Cushion slips on the Shell***
Make sure the Cover Tabs are firmly attached to the loop patches on the Shell. Re-install the cushion if necessary.



Installation Instructions

Warranty

LIMITED WARRANTY/LIMITATIONS OF REMEDIES AND LIABILITY U.S.A. and Canada

Limited Warranty. Cascade Designs, Inc. d.b.a. **VARILITE®** ("VARILITE"), to the original owner ("Owner"), under intended use and maintenance, warrants the enclosed product ("Product") to be free from defects in materials and workmanship for two years from date of purchase of the Product. No warranty against defects in materials and workmanship will apply if Product is: (i) altered in any way, except as specifically provided for in product instructions; (ii) used for purposes inconsistent with Product's intended purpose or design; or (iii) improperly maintained. Warranty will furthermore be voided where user: (i) failed to follow Product instructions or warnings; or (ii) subjected Product to misuse, abuse, or neglect.

During the warranty period, original Product parts determined by VARILITE to be defective in materials or workmanship will be repaired or replaced as Owner's sole remedy. VARILITE reserves the right to replace any discontinued product with a new product of comparable value and function. A returned product deemed irreparable becomes the property of VARILITE, and will not be returned.

EXCLUDING THE LIMITED WARRANTY PROVIDED ABOVE, VARILITE, ITS AFFILIATES AND THEIR SUPPLIERS, TO THE MAXIMUM EXTENT PERMITTED BY LAW, MAKE NO WARRANTIES, EXPRESSED OR IMPLIED, AND DISCLAIM ALL WARRANTIES, DUTIES AND CONDITIONS, WHETHER EXPRESSED, IMPLIED, OR STATUTORY, WITH RESPECT TO THE PRODUCT, INCLUDING WITHOUT LIMITATION ANY IMPLIED WARRANTIES OF MERCHANTABILITY, AGAINST LATENT DEFECTS, FITNESS FOR A PARTICULAR PURPOSE, OR CORRESPONDENCE TO DESCRIPTION.

Warranty Service To obtain service under this warranty, the warranty-eligible Product must be presented to a VARILITE authorized dealer. In the United States and Canada, warranty service may also be obtained by calling (800) 827-4548, Monday through Friday 7:00 AM to 4:30 PM Pacific Standard Time. Owner is responsible for all costs associated with returning Product to VARILITE for service. Where at its sole discretion VARILITE deems Product eligible for warranty repair or replacement, VARILITE will pay the shipping and handling associated with returning repaired or replaced Product to Owner. In instances where VARILITE deems a returned product ineligible for warranty service, VARILITE will, if possible, repair product for a reasonable charge that includes return shipping and handling.



Installation Instructions

Limitation of Remedies Should a court of competent jurisdiction find the limited warranty set forth above breached, VARILITE's only obligation will be to, at its option, either repair or replace Product. Should the aforementioned remedy fail of its essential purpose, VARILITE will, in exchange for return of Product, refund to Owner Product's original purchase price. THE FOREGOING REMEDY IS THE SOLE AND EXCLUSIVE REMEDY OF THE PURCHASER AGAINST VARILITE, ITS AFFILIATES AND THEIR SUPPLIERS, REGARDLESS OF LEGAL THEORY.

Limitation of Liability VARILITE's, its affiliates' and their suppliers' maximum liability is limited to incidental damages not to exceed the original purchase price of the Product. VARILITE, ITS AFFILIATES AND THEIR SUPPLIERS HEREBY DISCLAIM AND EXCLUDE ANY LIABILITY FOR ANY CONSEQUENTIAL OR OTHER DAMAGES RESULTING FROM ANY REASON WHATSOEVER. THIS EXCLUSION AND LIMITATION APPLIES TO ALL LEGAL THEORIES UNDER WHICH DAMAGES MAY BE SOUGHT, AND WILL APPLY EVEN IF ANY REMEDY FAILS OF ITS ESSENTIAL PURPOSE.

This limited warranty gives you specific legal rights; you may have additional rights which vary state to state.

Always completely follow: safety, use, operation, and maintenance instructions for this or any other VARILITE product.

European Union customer statutory rights are not affected.

Contact Information

VARILITE
4000 1st Ave. S
Seattle, WA 98134

Phone: (206) 505-9500
Toll Free: (800) 827-4548
Fax: (206) 343-5795
Toll Free Fax: (800) 363-7739

Email: info@varilite.com
Website: www.varilite.com

Customer Service Hours:
Monday through Friday from 7:00 AM to 4:30 PM Pacific Standard Time (PST)



VARILITE®

Installation Instructions

NOTES:



4000 1st Ave. S
Seattle, WA 98134
Phone: (800) 827-4548
Fax: (206) 343-5795
www.varilite.com

Authorized EU Representative:
Cascade Designs, Limited
Dwyer Road, Midleton, Co. Cork
Republic of Ireland



P/N 30-143 5/2008